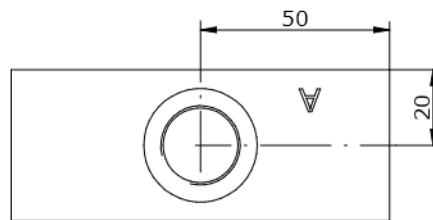
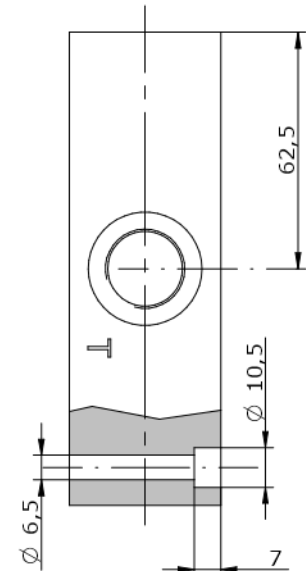
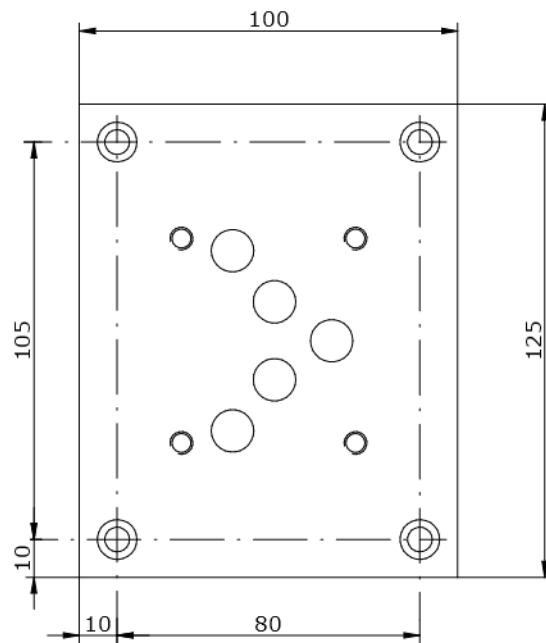
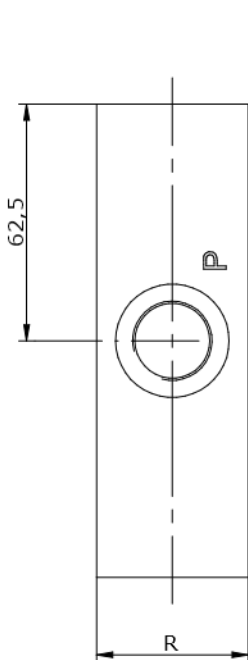
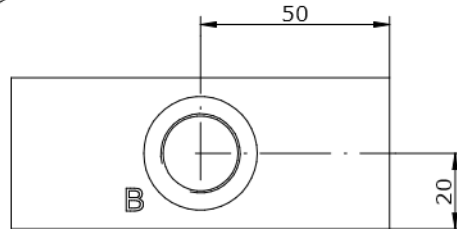
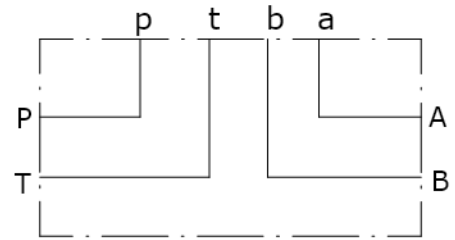
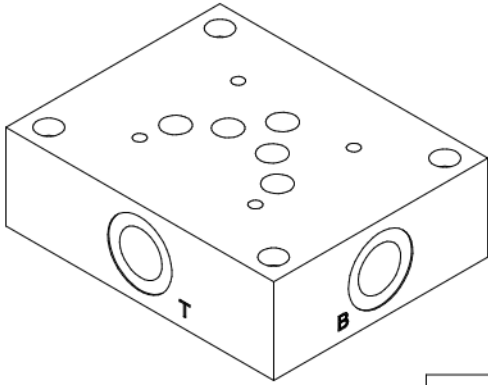


Schema idraulico  
 Hydraulic diagram



VERSION	R
E_10-02-12	40
E_10-02-34	45

**E\_ 10 - 02 -**

**S = STEEL**

**12 = BSP 1/2G**  
**34 = BSP 3/4G**