

LSV2-10-2 NORP

二位二通电磁阀 常开型

说明 DESCRIPTION

A solenoid operated, 2-way, 2-position, normally open, poppet-type cartridge valve with reverse flow de-energized.

二位，二通，常开型座阀式电磁阀

工作 OPERATION

When de-energized, the poppet lifts to open flow from ② to ①. Flow is also open from ① to ②.

When energized, the cartridge acts as a check valve, allowing flow from ① to ② while blocking flow from ② to ①, after overcoming the solenoid force (requires 3.4 to 10.3 bar [50 to 150 psi]).

失电时，②到①互通；

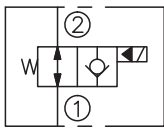
得电时，②到①关闭，当①口压力超过电磁铁力，①到②方向通。

手控应急 Operation of Manual Override Option

To override, push button in to activate. To return to normal valve function, release button.

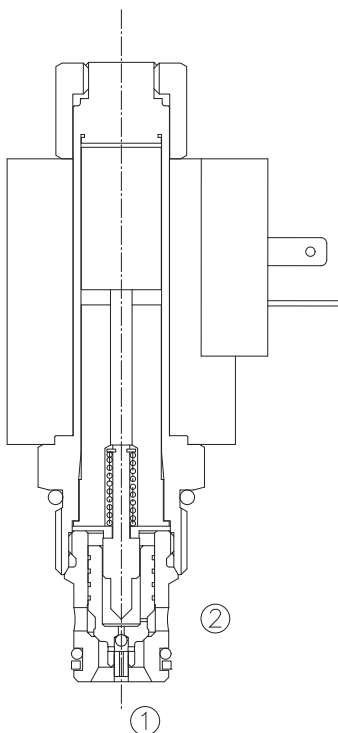
请用工具按下并按住按钮，②到①关闭；松开按钮，返回常态。

SYMBOL

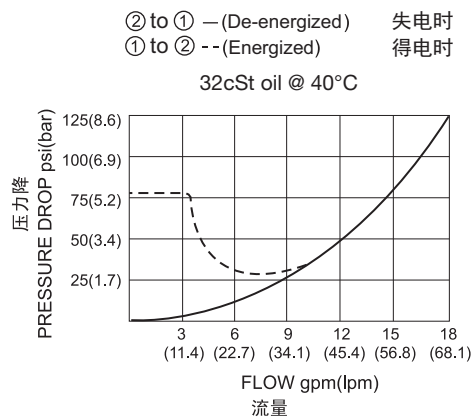


技术参数 SPECIFICATIONS

最大工作压力(Max. Operating Pressure):	207bar
流量(Flow):	See PRESSURE DROP VS.FLOW graph.
内泄漏(Internal Leakage):	3 drops/min.(滴/分) max. at 207bar
温度(Temperature):	-40°F to +212°F(-40°C to +100°C)
线圈额定负载(Coil Duty Rating):	Continuous from 85% to 115% of nominal voltage(连续工作电压)
过滤(Filtration):	See page (参见) N-1
油液(Fluids):	Mineral-based fluids with viscosities of 7.4 to 420 cSt.(矿物油粘度)
插孔(Cavity):	10-2, See page M-2
阀块材料(Body Material):	6061-T6 aluminum alloy rated to 207bar, Steel & Ductile iron rated to 350bar 6061-T6铝, 允许使用最大压力207bar 钢和球铁允许使用最大压力350bar



压力 - 流量曲线 PRESSURE DROP VS.FLOW



订货代号 TO ORDER

LSV2 - 10 - 2 NOR P - * - * * - * *

┌───┐
┌──┐
┌──┐
┌──┐
┌──┐
┌──┐
┌──┐
┌──┐
┌──┐

1
2
3
4
5
6
7
8
9

- 1** 功能
LSV2= 电磁阀 Solenoid Valve

- 2** 规格 Size
10=10 规格

- 3** 流道类型 Flow Path
2= 二通

- 4** 模式
NOR= 常开, 双向流通
Normally Open, Reverse
Flow De-energized

- 5** 类型
P= 锥阀型 Poppet

- 6** 手控应急
空白 Blank= 无手控应急 None
M= 手控应急 Manual Override

- 7** 电压 Voltage
1=12 VDC
2=24 VDC
3=110 VAC
4=220 VAC
5=10 VDC

- 8** 线圈连接 Coil Connection
D= Double Lead 双线
H= Hirschmann 三插
C= Conduit 带嵌套
ER= Deutsch Connector(Water-proof Coil)
德意志插座(防水线圈)
B= Double Spade 双插

- 9** 阀块油口 Body Porting
空白 Blank= 不带阀块 None
6T=SAE 6
3G=G 3/8
4G=G 1/2

- ※ 阀块详见章节 K-4
其它螺纹油口也是可选择的
Other Porting Is Available

安装尺寸 INSTALLATION DIMENSIONS

Coil Must Be Installed With Letter Up
安装线圈时, 字母必须朝上。

Unit=Millimeters

